



# VENTURE FEATURES...

NXG SLIDE by Norco Industries



## NXG SLIDE

*The Next Generation in Slide-out Technology*

**MADE IN USA**

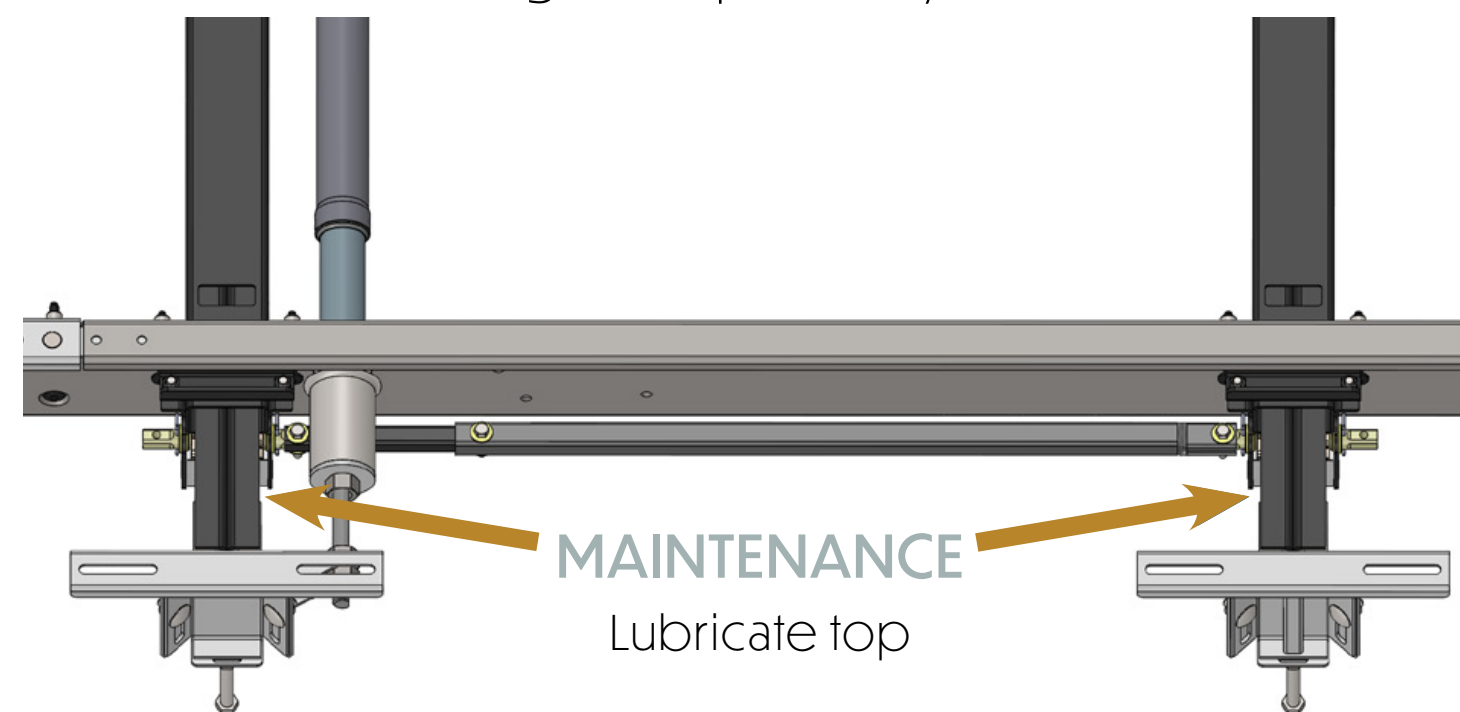
SONIC | SONIC X | STRATUS | SPORTTREK | SPORTTREK TOURING EDITION

BAL has set the new standard in slide-out technology with the award winning 'NXG SLIDE' rack drive slide-out. The NXG SLIDE system provides an unmatched level of durability and precision that was not available in older generations of slide-out mechanisms. Due to the systems rigidity and tightness, a user should experience years of trouble-free performance. All components of the NXG SLIDE mechanism

are individually coated with highly effective corrosion-resistant e-coat or plating for extended life of the slide-out drive. Required maintenance is limited to periodic cleaning and lubrication of the main drive arms of the system. For additional information regarding the NXG SLIDE or other BAL products, please visit [www.norcoind.com/bal](http://www.norcoind.com/bal).

### MORE SECURE CONNECTIONS

- Tighter, quieter system

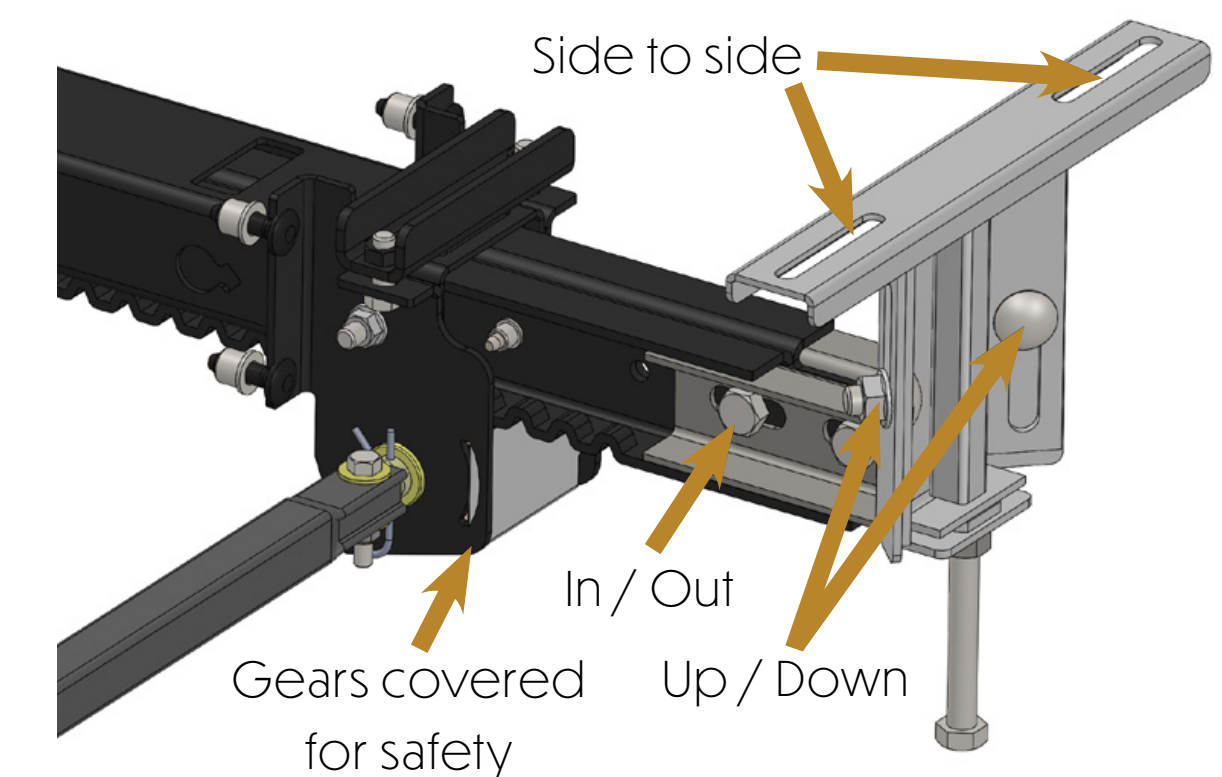


### ARCHED DESIGN

- Stronger, tighter, and more durable
- Helps hold room against coach sidewall



### EASY ADJUSTMENT



BAL is a registered brand of Norco Industries, Inc. Elkhart, IN USA

U.S. PATENT PENDING